

SBC-WP240S3-31x-S404

鍍層厚度:

Blank : 1u"

2 : 15u"

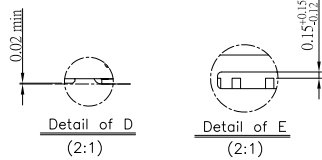
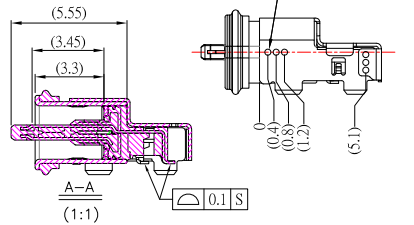
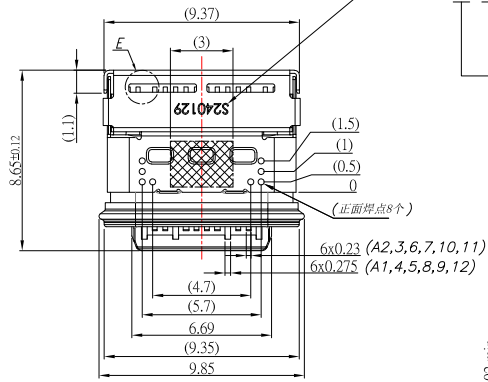
3 : 30u"

IPX8



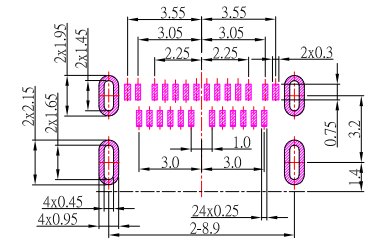
DATE CODE:

S 24 01 29
 S SANJI
 Day(01~31)
 Month(01~12)
 Year(24=2024,25=2025,...)

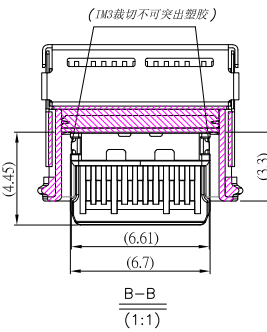
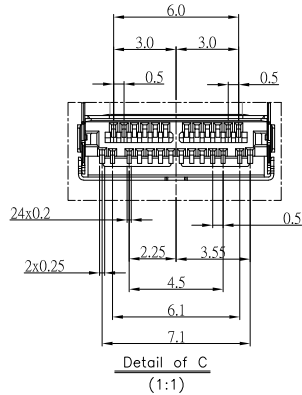
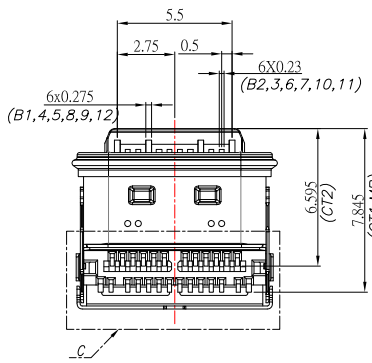
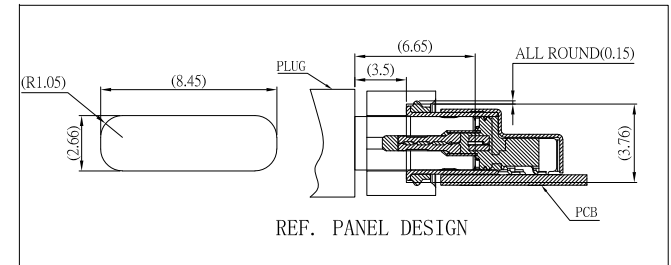
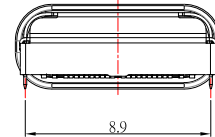
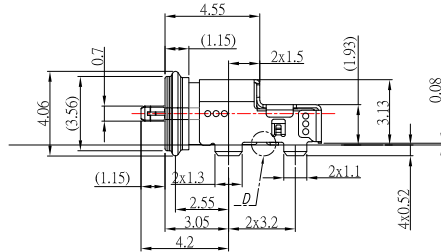
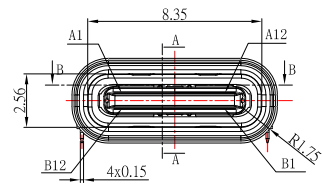


PIN	Signal Name	Mating Sequence
A1	GND	First
A2	TX1+	Second
A3	TX1-	Second
A4	VBUS	First
A5	CC1	Second
A6	D+	Second
A7	D-	Second
A8	SBU1	Second
A9	VBUS	First
A10	RX2-	Second
A11	RX2+	Second
A12	GND	First
SHELL	GND	---

PIN	Signal Name	Mating Sequence
B12	GND	First
B11	RX1+	Second
B10	RX1-	Second
B9	VBUS	First
B8	SBU2	Second
B7	D-	Second
B6	D+	Second
B5	CC2	Second
B4	VBUS	First
B3	TX2-	Second
B2	TX2+	Second
B1	GND	First
SHELL	GND	---



PCB LAYOUT



SPECIFICATIONS

Electrical:

- Rating: 5.0A
- Contact Resistance: 40 mΩ Max
- Insulation Resistance: 100 MΩ Min
- Dielectric Withstanding Voltage: 100V AC

Mechanical:

- Connector Mate and Unmate Force
 - Mate force: 5~20 N
 - Unmate force: 8~20 N

Material:

- Housing: PA9T
- Contact: C7025
- Shell: SUS

Finish:

- Contact: Plated Gold in Mating Area ;
Gold Plated on Solder Balls ;
Nickel under plated overall
- Shell: Nickel under Plated surface layer

CONTACT 建倚科技股份有限公司
CONTACT TECHNOLOGY CORP.

TOLERANCE UNLESS OTHERWISE STATED :	Up to 5 ±0.2	Above 5 ~ 15 ±0.3	Above 15 ~ 30 ±0.4	Above 30 ~ 50 ±0.5	Angle ±0.3
	3RD. ANGEL'S				
		UNITS	MM		

DRAWN BY:	DATE	MAT'L	TITLE	CONNECTOR
Jack Lu	08/21/24	FINISH	MODLE	USB 3.1 TYPE C 防水型 板上式 H3.13 IPX8
CHECKED BY:	DATE	SCALE	DWG NO.	SBC-WP240S3-31x-S404
Jacky Chen	08/21/24	1 : 1	PART NO.	SBC-WP240S3-31x-S404
APPROVED BY:	DATE	SHEET NO.		
Tony Kao	08/21/24	1 of 2		

ITEM NO.	DESCRIPTION	DRAWN	DATE
----------	-------------	-------	------